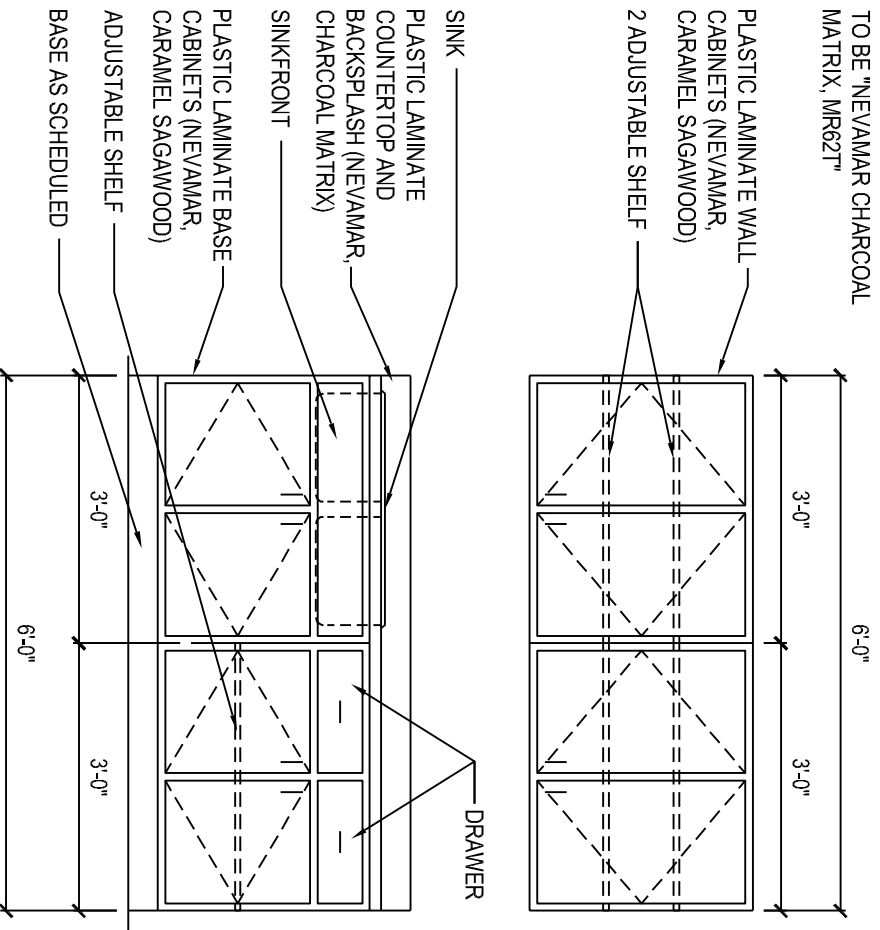
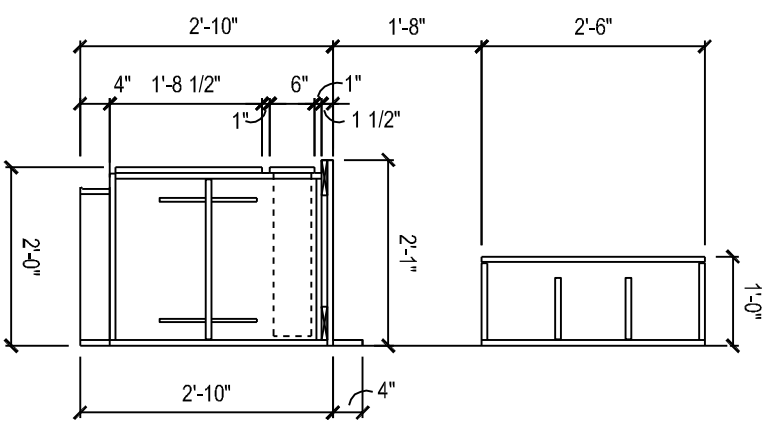


NOTE:  
 BASE & WALL CABINETS TO BE  
 "NEVAMAR CARAMEL  
 SAGAWOOD WM8350T",  
 COUNTERTOP & BACK-SPLASH  
 TO BE "NEVAMAR CHARCOAL  
 MATRIX, MR62T"



ELEVATION



SECTION

DATE	DEFENSE COMMISSARY AGENCY DIRECTORATE OF ENGINEERING FORT LEE, VIRGINIA - LACKLAND AFB, TEXAS		DESIGN STANDARD 064023-04
	JUN 2022	TITLE	
	REF.		
	REV.		